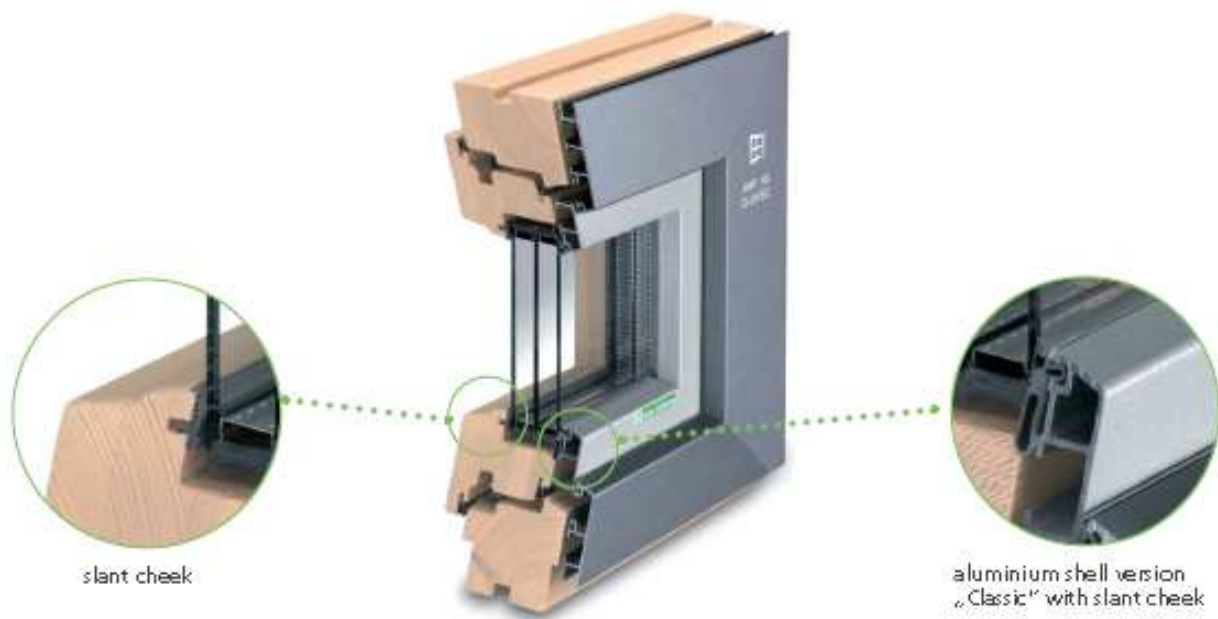


## Aluminum-wood window AHF95 Classic

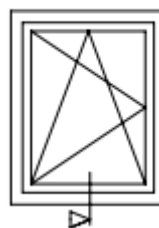
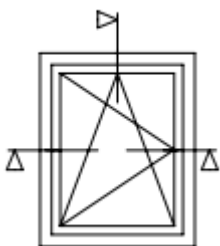
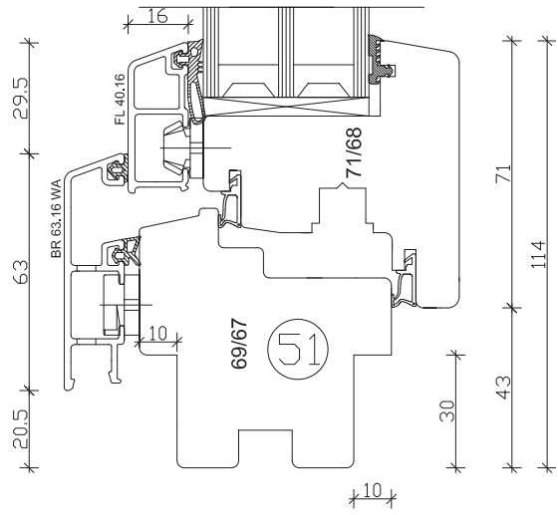
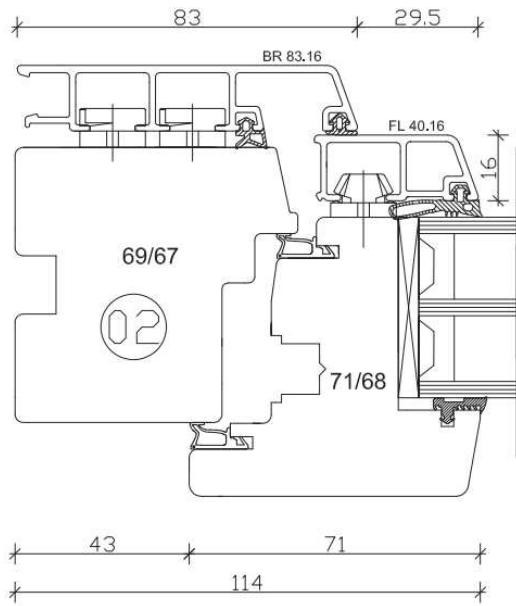


inside view

outside view

- noble wood on the inside, sturdy aluminum shell on the outside
- sustainable and innovative
- meets the highest requirements for safety, thermal and sound insulation

material outside	aluminum shell, powder-coated, highly weatherproof
material inside	wood, slant cheek
kinds of wood	pine, meranti, spruce, larch, oak
gasket system	three circumferential gaskets
hinge system	turn-tilt, concealed hinges
building depth (frame/sash)	frame 87 mm / sash 88 mm
max. glazing thickness	48 mm
view width	114 mm
thermal insulation	up to $U_w$ 0,79 W/m <sup>2</sup> K (spruce)
noise protection	up to class 4
burgler protection	up to RC 2
air permeability	class 3
driving rain protection	class 7A
color choice	according to Kneer-Süd color chart and each RAL-color
shapes	arches and bevels possible





concealed hinges don't disturb the perfect interior look of the window

a new fastening technology allows an invisible fastening of the glazing strips of a fixed glazing



slightly anti-rotation scissors prevent easy slamming of the sash

Adjustment possibilities in three directions ensures durable function

Designer locking pieces as standard

Excerpt of the color chart

Outside aluminum (HWF: highly weatherproof means higher weather ability as standard coatings)



FME: fine structure metallic

GMA: smooth matt

FMA: fine structure matt

Inside wood

